

# Parts and Accessories. Installation Instructions.



## Centre armrest retrofit

MINI ONE (R50)

MINI COOPER (R50)

MINI COOPER S (R53)

MINI CONVERTIBLE (R52)

**Retrofit kit No.** 51 71 0154 307

### Installation time

The installation time is 0.2 hours, but this may vary depending on the equipment in the car.

### Important information

These installation instructions are primarily designed for use within the MINI dealership organisation and by authorised BMW service companies.

In any event the target group for these installation instructions is specialist personnel trained on MINI cars with the appropriate specialist knowledge.

All work must be completed using the latest MINI repair manuals, circuit diagrams, servicing manuals and work instructions in a rational order using the prescribed tools (special tools) and observing current health and safety regulations.


**To avoid unnecessary extra work and/or costs, if any installation or function problems occur, after a brief troubleshooting session (approx. 0.5 hours), an inquiry is to be sent straight away to the technical parts support via the Aftersales Assistance Portal (ASAP), quoting the chassis number, the part number of the retrofit kit and a precise description of the problem.**


Do not archive the hard copy of these installation instructions since daily updates are made by ASAP.

See ASAP for details of the pictograms.

All the figures show LHD cars, proceed in exactly the same way on RHD cars.

### Pictograms

 Denotes instructions that draw your attention to dangers.

 Denotes instructions that draw your attention to special features.

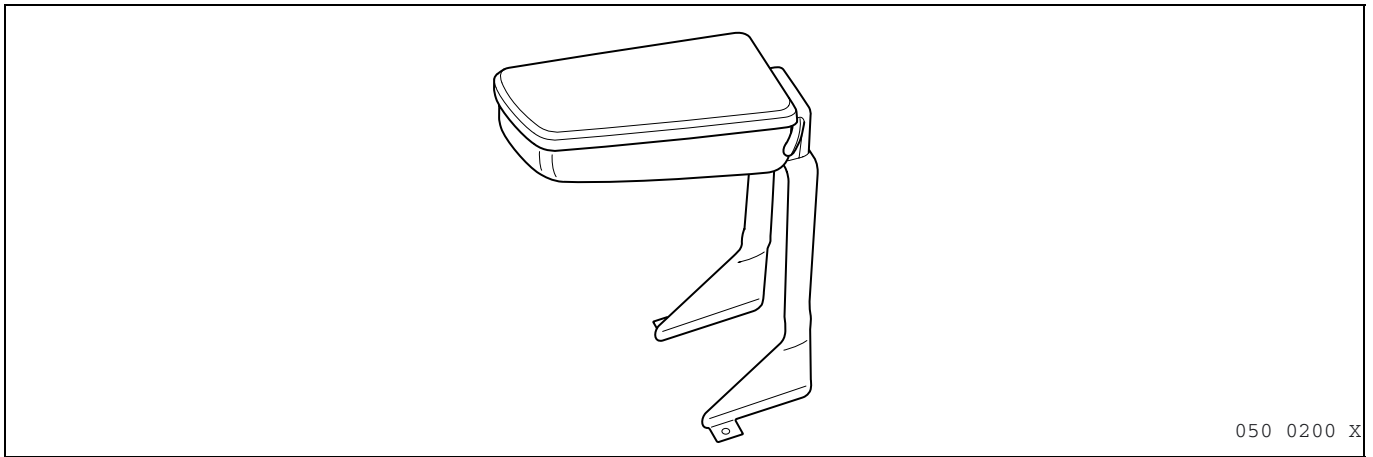
◀ denotes the end of the instruction or other text.

Subject to technical modifications.

## Contents

Section	Page
1. Parts list.....	3
2. To install the centre armrest.....	4

## 1. Parts list



MINI centre armrest

## 2. To install the centre armrest

